



PROFESSIONAL
INJECTION MOLDING
MACHINE AUXILIARY
MACHINERY
MANUFACTURERS
专业注塑机辅机生产商



宁波市江北区屹立塑料机械有限公司
Ningbo Jiangbei HuaYang Plastic Machinery Co., LTD.

地址(ADD):宁波市江北工业园区
电话(TEL) : +86-574-87354342
传真(FAX) : +86-574-87573551
联系人(Contact) : 13355969989 15356888808
邮编(P.C) : 315000



宁波市江北区屹立塑料机械有限公司
Ningbo Jiangbei HuaYang Plastic Machinery Co., LTD.

发展前景
科技实力
品质保证

匠人之心钻研产品 与时俱进打造品质

放眼未来，接轨全球，排除万难

将凭借一流人才队伍、技术设备和产品品质

发挥自身厚积薄发的巨大能量

探索塑料机械高效节能、自动化的新大道

专业注塑机辅机生产商

INJECTION MOLDING MACHINE AUXILIARY MACHINE

产品目录

PRODUCTS CATALOG

- 03 强力粉碎机
POWER MILL
- 05 慢低速静音机边粉碎机
SLOW SILENT EDGE CRUSHER
- 07 中速机边粉碎机
MEDIUM SPEED EDGE CRUSHER
- 09 拌料机（精装）
MIXER (HARDCOVER)
- 11 干燥机
DRYER
- 13 吸料机
SUCTION MACHINE
- 15 吸粉机
POWDER SUCTION MACHINE
- 17 冷水机（风冷式、水冷式）
CHILLER (AIR-COOLED, WATER-COOLED)
- 21 模温机
MOLD TEMPERATURE MACHINE

OUR STRENGTH 我们的实力

企业文化

Corporate culture

精益求精，铸就品质

讲究实效，完善管理

Strive for excellence, create quality;

Focus on effectiveness, perfect management.

企业理念

Corporate philosophy

创新，服务，诚信，务实

Innovation, service, integrity, pragmatism.

质量方针

Quality policy

质量第一是我们永恒的主题

优质服务是我们神圣的职责

用户满意是我们追求的品质

Quality first is our eternal theme;

Quality service is our sacred duty;

User satisfaction is the quality we pursue.

企业简介

COMPANY PROFILES



宁波市江北区屹立塑料机械有限公司，自2014年创立以来，一直专注于注塑辅机的研发、生产与销售。公司凭借卓越的技术能力和市场洞察力，成功打造一系列优质注塑辅机设备，深受客户好评。

企业目标：机制创新，部门协同；人才为先，把人才作为发展产业的首要资源，创新培养；组织引导，市场推动；坚持融合发展。推进业态和模式创新，促进信息技术与产业深度融合

企业荣誉：央视推广品牌、高新技术企业、校企合作单位、塑料协会副会长单位以及拥军模范单位。

企业使命：宁波屹立塑料机械有限公司将继续保持创新驱动，不断提升产品质量和服务水平，拓展国内外市场，努力实现企业的可持续发展。

发展历程：2014年公司成立并拓展国内市场建立良好口碑，2016年在越南胡志明市设立办事处，2018年在土耳其伊斯坦布尔设立办事处，2020年-2022年在塞尔维亚、波兰设立办事处并全力进军欧美市场。

Ningbo Jiangbei Yili Plastic Machinery Co., LTD., since its establishment in 2014, has been focusing on the research and development, production and sales of injection molding auxiliary machines. With excellent technical strength and market insight, the company has successfully created a series of high-quality injection molding auxiliary equipment, which is well received by customers.

Enterprise goal: mechanism innovation, department collaboration; Talent first, the talent as the primary resource for the development of the industry, innovation training; Organization guidance, market promotion; We will pursue integrated development. We will promote innovation in business forms and models and deepen the integration of information technology and industries

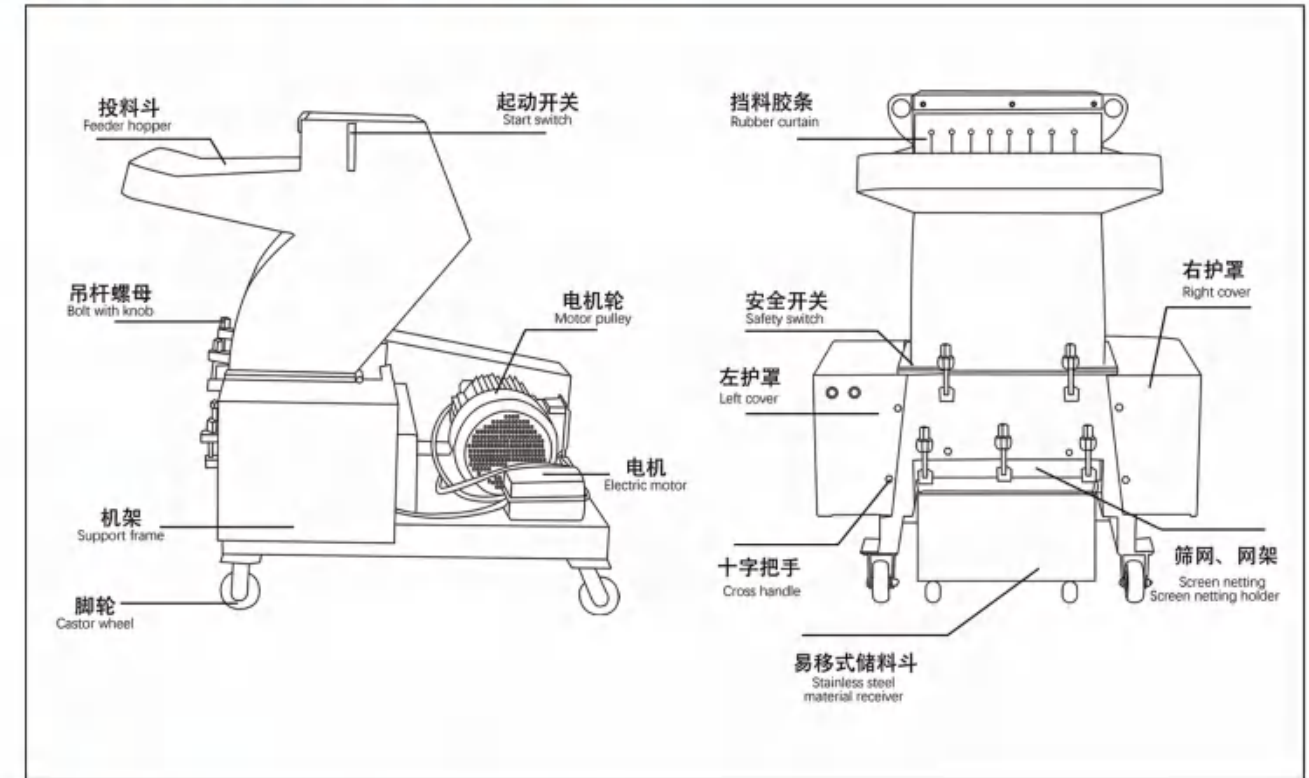
Corporate honors: CCTV brand promotion, high-tech enterprises, school-enterprise cooperation units, Plastics Association vice president units and military support model units.

Enterprise Mission: Ningbo Yili Plastic Machinery Co., Ltd. will continue to maintain innovation, improve product quality and service level, expand domestic and foreign markets, and strive to achieve sustainable development of enterprises. Development history: In 2014, the company was established and expanded the domestic market to establish a good reputation. In 2016, it set up an office in Ho Chi Minh City, Vietnam, in 2018, Istanbul, Turkey, and from 2020 to 2022, it set up an office in Serbia and Poland and fully entered the European and American markets.

STRONG CRUSHER
强力粉碎机



结构示意图/SCHEMATIC



产品系列/PRODUCT SERIES

型号	Model	Unit	PC300	PC400	PC500	PC600	PC800	PC1000
电机功率	Motor Power	kW	5.5	7.5	11	15	22/30	37/55
定刀数	Fixed Blades	Pcs	2	2	2	4	4	4
动刀数	Rotor Blades	Pcs	9	12	15	18	24	30
粉碎能力	Output	kg/hr	200-250	300-450	450-800	450-900	650-1300	750-1500
粉碎室口	Infeed Opening	mm	230x315	245x415	300x500	350x615	500x820	610x1020
筛网孔径	Screen Diameter	mm	Ø10	Ø10	Ø10	Ø12	Ø12	Ø15
刀轴转速	Rotary Speed	R/MIN	617	617	617	576	576	576
旋转刀长度	Rotary Knife diameter	mm	300	400	500	600	800	1000
重量	Weight	kg	320	420	620	830	1800	2700
机械尺寸	Dimensions	mm	1030x750x1200	1100x860x1330	1300x1020x1520	1450x1155x1700	1850x1410x2130	1950x1580x2500

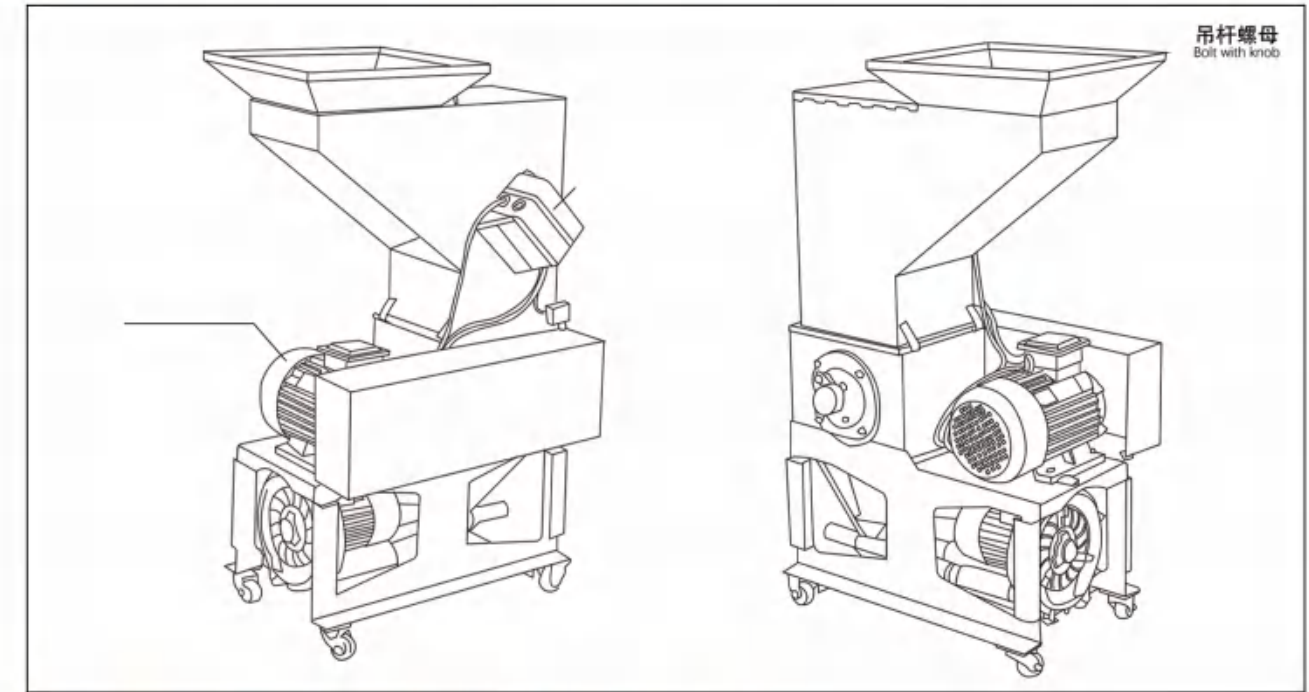
强力粉碎机特点/FEATURES

- 适合破碎片材、管材、型材、板材、包装材料、料块、料头、吹塑件、瓶、壳等塑料制品;
- 加工工艺成熟, 箱体、刀架等重要部件采用整体加工, 确保配合精度;
- 结构合理, 操作方便, 省电耐用, 经济实用;
- 设有多项安全保护装置, 确保操作安全;
- 投料斗双层设计, 减少噪音;
- 通用型塑料粉碎机, 采用密封轴承使轴承转动长时间保持良好。刀型设计合理, 产品成粒均匀, 刀座热缩处理, 外形设计美观大方;
- Suitable for crushing sheet, pipe, pipe, sheet, packaging material, material block, material head, blow molding, bottle, shell and other plastic products;
- The processing technology is mature, and the important parts such as the box and the tool holder are processed integrally to ensure the matching precision;
- Reasonable structure, convenient operation, energy saving and durable economical and practical
- A number of safety devices are provided to ensure safe operation;
- Double-layer design of the hopper to reduce noise;
- The general-purpose plastic crusher uses a sealed bearing to keep the bearing rotating for a long time.
- The blade type design is reasonable, the product is evenly granulated, the knife seat is heat-shrunk, and the shape design is beautiful and generous;

慢速机边粉碎机
SLOW EDGE CRUSHER



结构示意图/SCHEMATIC



产品系列/PRODUCT SERIES

型号	Model	Unit	1P	2P	3P	5P
电机功率	Motor Power	kw	1.1	1.5	2.2	3.7
旋转速度	Rotor Speed	r/min	23	23	23	23
回转刀	Rotary knife	pcs	2	2	3	3
固定刀	Fixed Blades	pcs	6	6	8	8
旋转动刀	Screen Diameter	pcs	3	3	4	4
粉碎室尺寸	Infeed Opening	mm	250x250	310x310	420x310	295-400
粉碎能力	Output	kg/h	15-20	20-25	25-30	35-40
粉碎时噪音	Noise	dB(a)	80-85	80-85	80-85	80-85
重量	Weight	Kg	210	295	340	470
机身尺寸	Body size	mm	930x450x1230	1030x500x1280	1200x500x1300	1200x560x1460
投料口尺寸	Feeding port size	mm	480x415	500x480	580x450	680x580
电机品牌	Motor brand	/	士元 (台湾)	士元 (台湾)	士元 (台湾)	士元 (台湾)
电控器	Electric controller	/	施耐德、一佳	施耐德、一佳	施耐德、一佳	施耐德、一佳

慢速机边粉碎机特点/FEATURES

- 无筛网式设计，粉碎料颗粒均匀，粉末少;
- 上、下仓体分体式结构，方便打开，便于清扫，换色换料;
- 采用菠萝刀、S刀、边刀一体设计，粗碎、细碎同步进行，刀片均采用 SKD11 材质;
- 慢速粉碎机因低转速运行，粉碎时所产生的噪音低;
- 齿轮减速机与主轴采用链轮链接，动力强劲，粉碎时运行平稳;
- 主要适合粉碎硬材质水口料，如:ABS、尼龙、PC、亚克力等;
- 外观尺寸优化，节约场地，底部安装带刹车脚轮，移动方便;
- No screen design, pulverized material particles uniform, less powder;
- Upper and lower silo body split structure, easy to open, easy to clean, change color and refueling;
- Pineapple knife, S knife, edge knife integrated design, coarse crushing, fine crushing synchronously, blades are made of SKD11 material;
- Because of the low speed operation, the noise produced by the slow grinder is low.
- Gear reducer and main shaft using sprocket link, strong power, crushing when running smoothly;
- Appearance size optimization, save space, at the bottom of the installation with brake caster, easy to move;
- Mainly suitable for crushing hard material, such as :ABS, nylon, PC, acrylic, etc.;

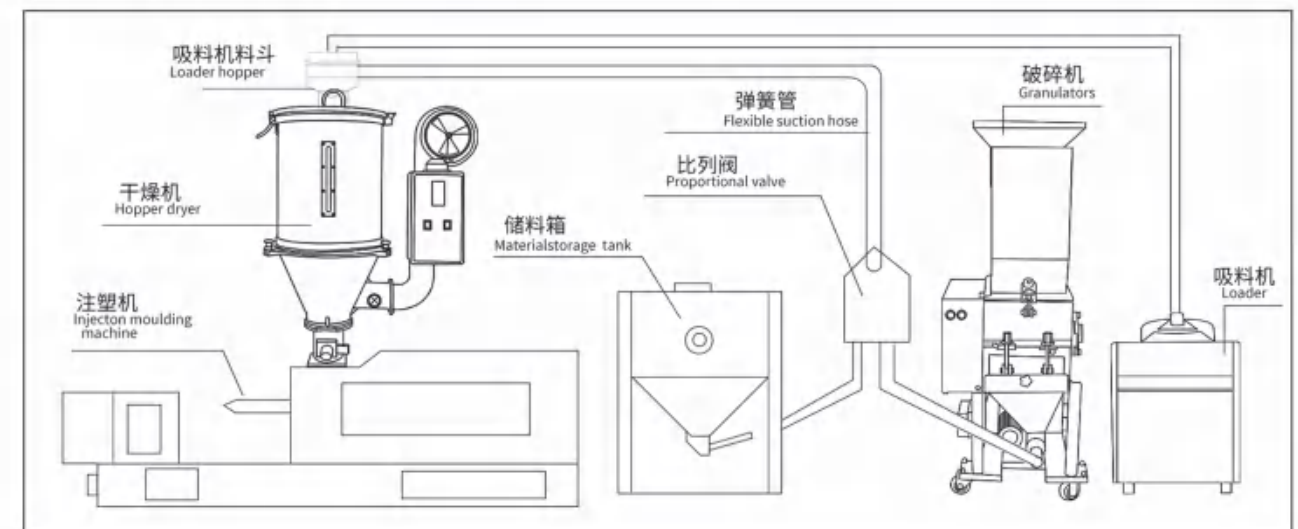
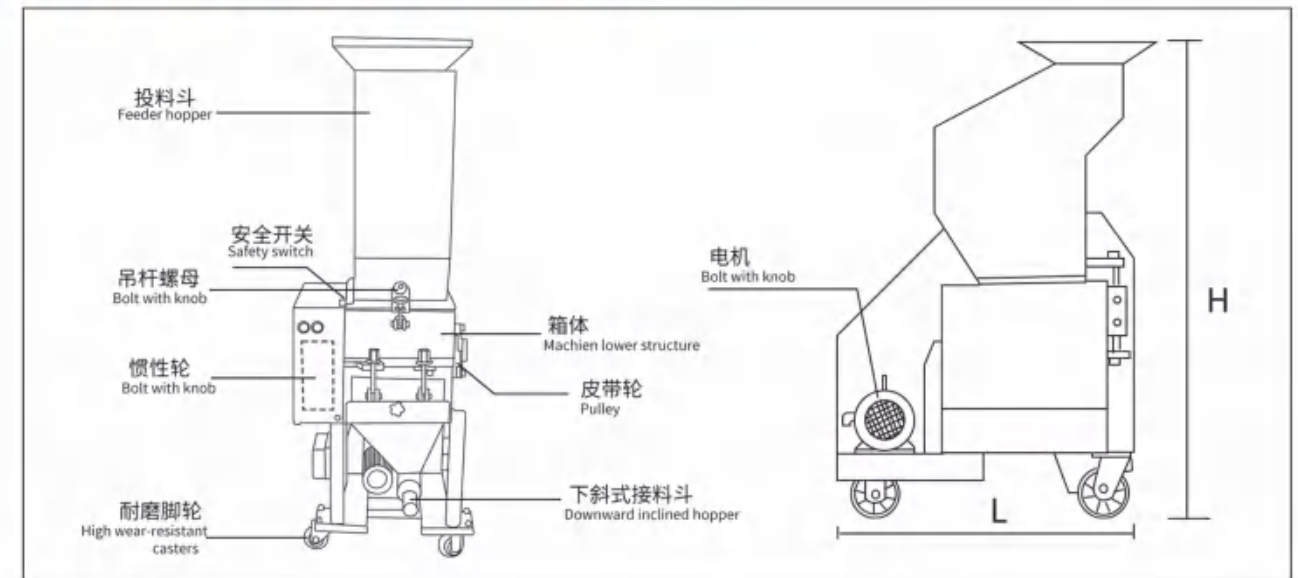
中速机边粉碎机
MEDIUM EDGE CRUSHER



中速机边粉碎机特点/FEATURES

- 此款机边粉碎机适合放置于机边，与回收器、干燥机等配使用，组成一套快速回收系统。此系统可省掉回收过程中繁杂的中间环节，极大的避免了因此而造成的人力、物料的浪费，从而达到最佳的回收效果；
- 广泛适用细小型塑料瓶、容器、塑料薄膜、片材等塑料产品的不良品及水口料的现场回收；
- 工作噪音小、占地面积少、耗电量低，可全天候连续使用 并且不会造成粉尘污染，是一种性能良好的高效环保产品；
- HY series crushers with medium-speed rotation are suitable to be installed beside the machine , combination with a cyclone separator and dryer form a rapid recycling system, it eliminates the complex intermediate links, and avoids human and material waste, Hence ensures maximum recycling efficiency;
- Suitable for spot recycle of scrape products of small plastic bottles , containers , plastic film , sheets , sprues from injection molding machines .
- The medium-speed granulator has characteristics of low noise, dust free, occupying small space, energy efficiency and able to operate for long continuously, With high efficient environment protection;

结构示意图/SCHEMATIC



产品系列/PRODUCT SERIES

机型 Model	电机功率 Motor power (KW)	风机功率 Fan power (KW)	粉碎室口径 crushing chamber bore (mm)	进料口 Feed port (mm)	整机尺寸长*宽*高 Overall size length*width*height (mm)	定刀(片) Fixed blade (s)	动刀(片) Cutting knife (piece)
240E	1.5	0.55	240x280	380x550x125	750x500x1450	2	24
300E(A)	1.5	0.55	300x280	440x550x125	750x550x1450	2	30
360E	2.2	0.55	360x280	490x670x125	750x600x1530	2	36
420E	2.2	0.55	420x280	550x670x125	750x650x1530	2	42
510E	3	0.55	510x280	640x550x125	800x750x1530	2	51

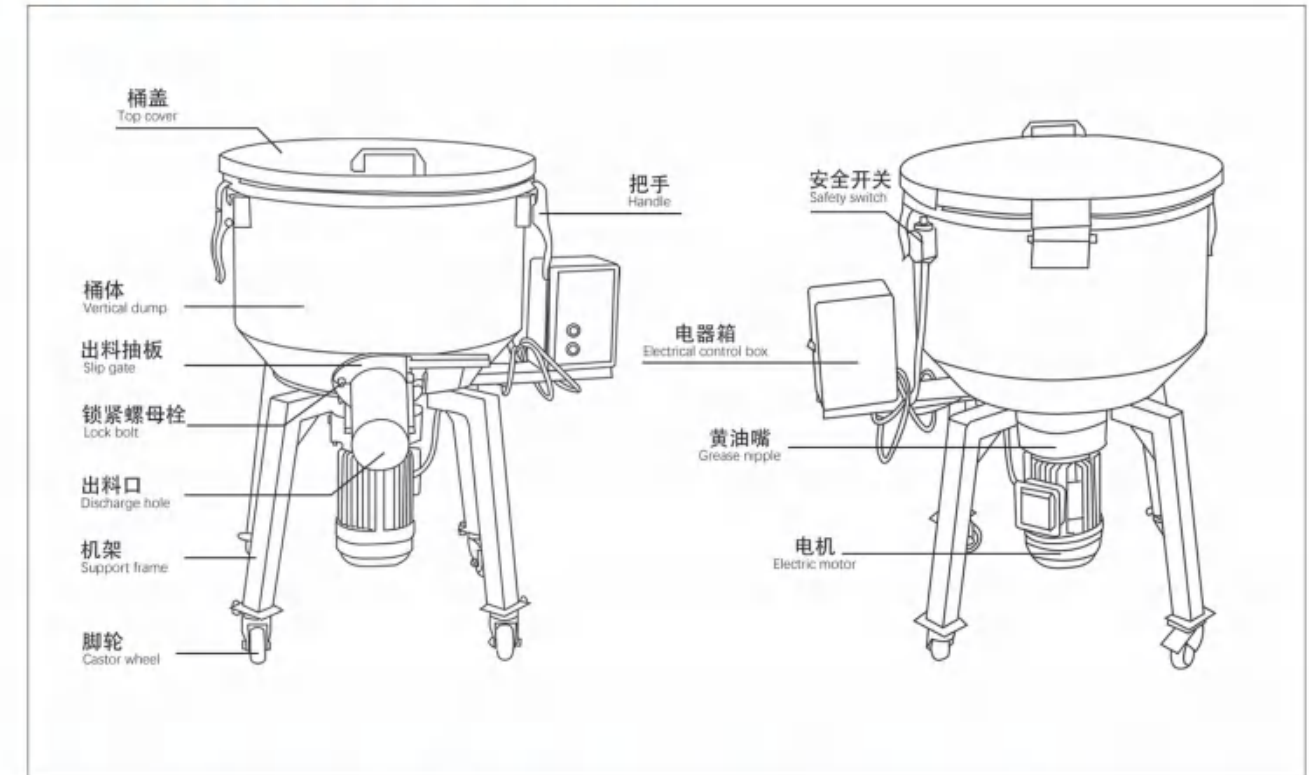
拌料机
PLASTIC MIXER



精装拌料机特点/Feature

- 四轮直立式设计，体积小，移动方便;
- 配用摆线针轮减速电机，噪音低、持久耐用;
- 短时间内完成均匀混料，低耗能、高效率;
- 桶盖、桶底冲压成型，配合精确，更耐用;
- 计时器可在0-30分钟之间选择混料时间;
- 全不锈钢桨叶，结构科学合理，在工作中可充分搅拌原料，且将负载减到最小，省时省电，采用优质不锈钢材料，高强度清理方便;
- Four-wheel vertical design, small size and easy to move;
- With cycloidal pinwheel geared motor, low noise and long-lasting durability;
- Complete uniform mixing in a short time, low energy consumption and high efficiency;
- The barrel lid and the bottom of the barrel are stamped and formed to match the accuracy and durability;
- The timer can select the mixing time between 0-30 minutes;
- All stainless steel blades, the structure is scientific and reasonable, the material can be fully stirred in the work, and the load is minimized, saving time and electricity, using high-quality stainless steel material, high strength, easy to clean.

结构示意图/Schematic



精装拌料机技术参数/Technical parameters

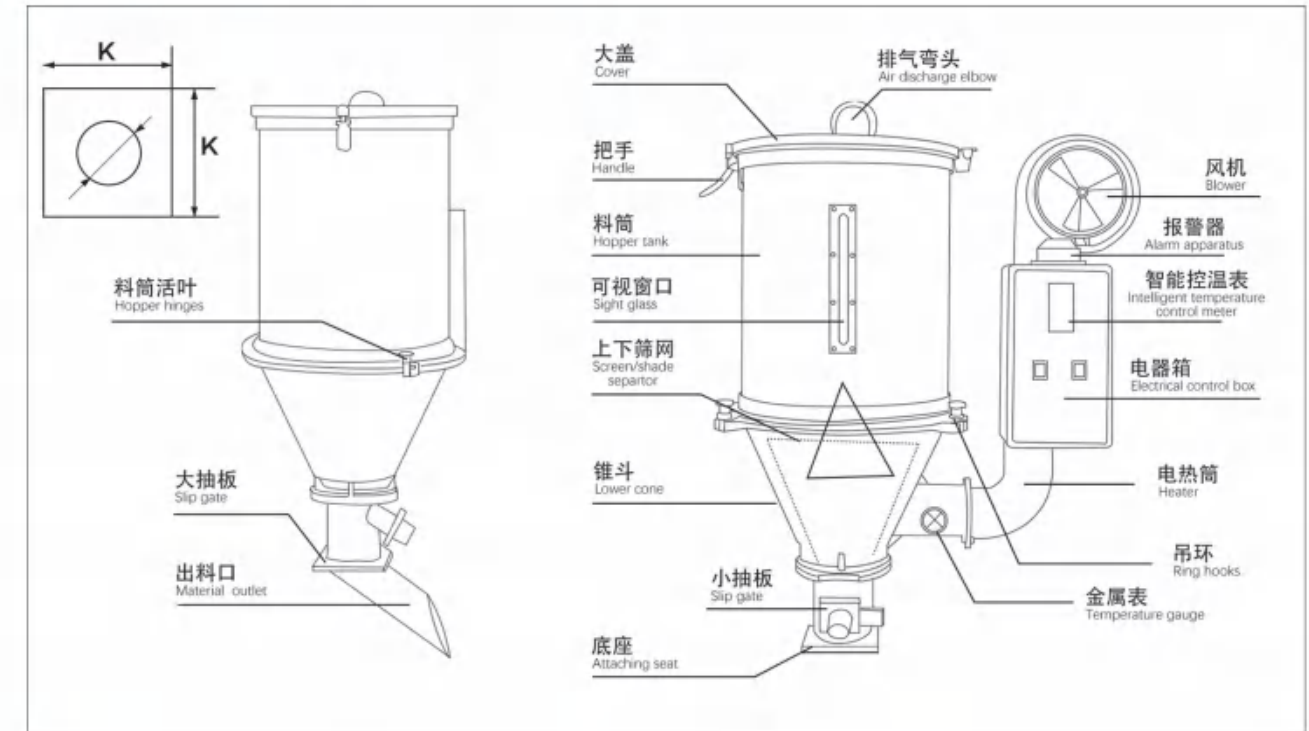
型号(KG)	HY-50	HY-100	HY-150	HY-200	HY-300
电压(v)	380(三相电) Three-phase electricity	380(三相电) Three-phase electricity	380(三相电) Three-phase electricity	380(三相电) Three-phase electricity	380(三相电) Three-phase electricity
功率(KW)	1.5	3	4	5.5	7.5
混合量(KG)	50	100	150	200	300
总高度(MM)	1000	1170	1300	1430	1500
桶体内径*高度(MM)	620x460	760x590	620x460	620x460	620x460
脚架高度(MM)	550	580	620	680	680
转速(R/MIN)	68	60	60	58	68
桶壁厚(MM)	1.2	2	2	2	2
桶底板厚(MM)	10	10	10	70	10
桨叶高度(MM)	370	460	590	650	700
桨叶厚度*宽度(MM)	6x50	8x50	8x50	10x50	10x50
机器重量(KG)	125	180	250	300	350



干燥机特点/Feature

- 精密压铸铝质外壳，表面光滑，保温性能好；
- 静音风机，可选配入风滤清器，确保原料清洁度；
- 桶体、机座均设有视料窗，可直接观察内部原料情况；
- 电热筒弯形设计，避免因原料粉屑堆积筒底而引起燃烧；
- 采用全自动数显温控器，可精确控制温度；
- 铸铝模具自主设计，桶体向后翻，适配任何机械手；
- Precision die-cast aluminum housing with smooth surface and good thermal insulation performance.
- Silent fan, optional air filter to ensure the cleanliness of raw materials;
- The barrel and the base are equipped with sight glass, which can directly observe the internal raw materials;
- The electric heating cylinder is curved to avoid burning caused by the accumulation of raw material dust;
- Fully automatic digital display thermostat for precise temperature control;
- The cast aluminum mold is designed independently, and the barrel body is turned backwards to fit any robot;

结构示意图/Schematic



干燥机技术参数/Technical parameters

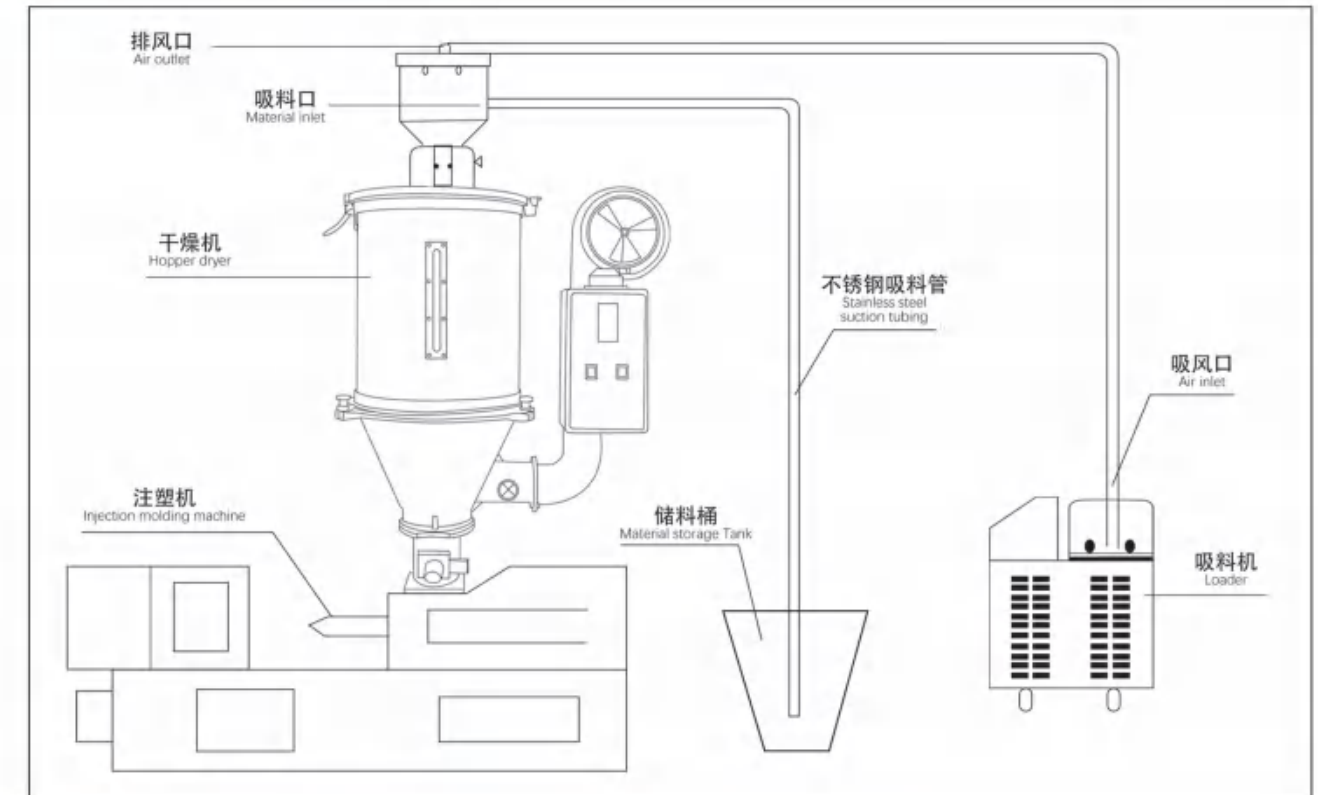
型号 Model	容量(KG) Capacity	电热功率(Kw) Electric heating power	风机功率(w) Fan power	桶径(MM) Bucket diameter	外形尺寸(CM) Dimensions	塑机用量选型G Plastic machine usage selection
HY-25KG	25	3.5	120	350	76*50*90	68-160
HY-50KG	50	5	180	430	84*54*103	125-500
HY-75KG	75	6	180	468	95*60*114	200-500
HY-100KG	100	7	250	550	108*70*125	300-1000
HY-150KG	150	9	250	630	112*76*130	800-2000
HY-200KG	200	12	400	700	125*85*148	800-3000
HY-300KG	300	15	400	750	130*92*174	2000-5000
HY-400KG	400	18	450	800	140*104*176	4000-6000
HY-500KG	500	21	550	880	145*110*180	大型塑机 Large plastic machine
HY-600KG	600	24	960	990	160*115*215	大型塑机 Large plastic machine
HY-800KG	800	30	1100	1090	170*133*266	大型塑机 Large plastic machine



吸料机特点/Feature

- 微电脑操作控制程序，过载、缺料报警；
- 300G采用高速整流马达，噪音小，寿命长，吸力强，适合新料输送！
- 主机与料斗一体式设计，体积小，重量轻；
- 700G采用高速整流马达，体积小，吸料强，适合用于新料输送；
- 800G、900G采用感应式高压风机，噪音小，寿命长；
- 主机与料斗分体设计，安全，简便，独立滤清装置，方便清除粉尘：
- Microcomputer operation control program, overload, lack of material alarm;
- 300G adopts high-speed rectifying motor, which has low noise, long service life and strong suction force, and is suitable for new material transportation;
- The main unit and the hopper are designed in one piece, which is small in size and light in weight;
- 700G adopts high-speed rectifying motor, which is small in size and strong in suction material, suitable for new material conveying.
- 800G, 900G use induction high pressure fan, low noise and long life;
- The main unit and the hopper are designed separately, safe, simple and independent filter device to facilitate the removal of dust;

结构示意图/Schematic



吸料机技术参数/Technical parameters

型号 Model	功率(KW) Power	料筒容量(L) Hopper capacity	输送高度(M) Delivery height	输料管内径(MM) Feed pipe inner diameter	重量(KG) Weight	输送能力 (KG/H) Delivery capacity	马达型式 Motor type
HY-300G	1.2HP	7.5	4	38	15	350	碳刷式 Carbon brush type
HY-700G	1.2HP	7.5	4	38	25	350	碳刷式 Carbon brush type
HY-800G	1.1	7.5	4	38	57	400	感应式 Induction type
HY-800G2	1.5	7.5	5	38	57	500	感应式 Induction type
HY-800G3	2.2	7.5	6	38	65	600	感应式 Induction type
HY-900G	1.1	7.5	4	38	70	400	感应式 Induction type
HY-900G2	1.5	7.5	5	38	70	500	感应式 Induction type
HY-900G3	2.2	7.5	6	38	78	600	感应式 Induction type



吸粉机特点 Features

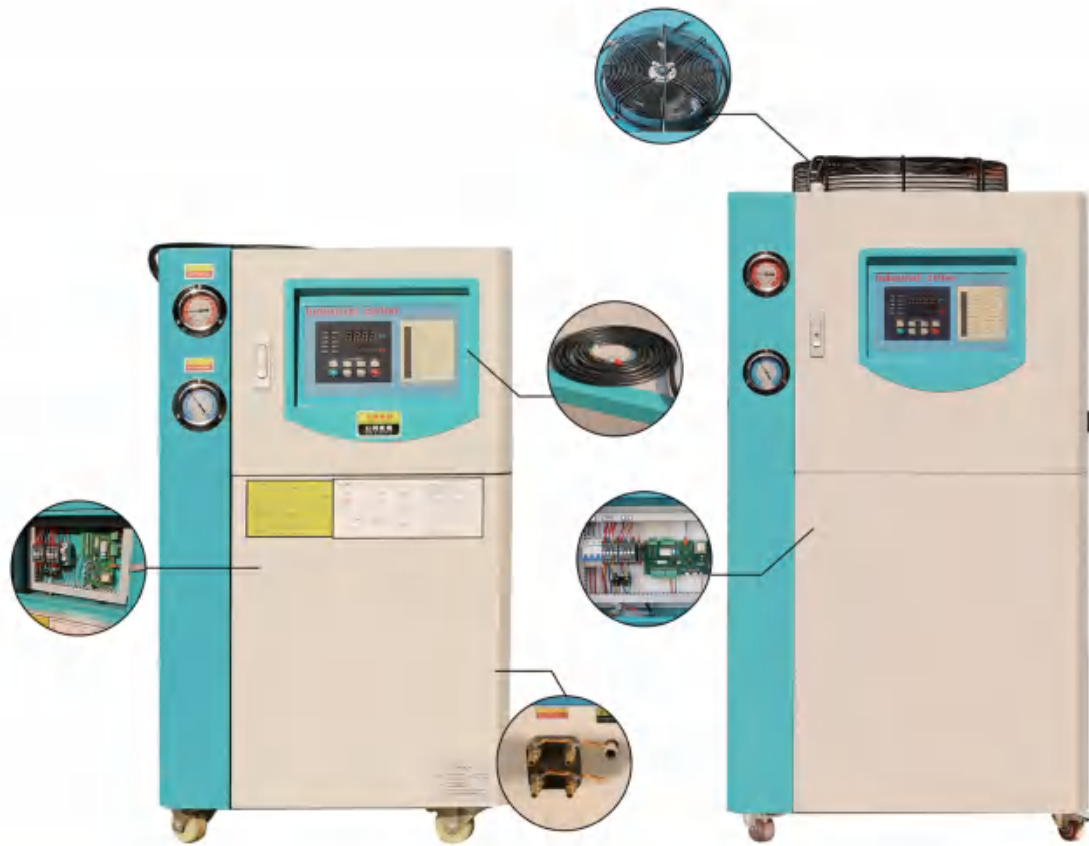
- 纳米覆膜滤布：纳米覆膜粉尘专用过滤器，不易堵塞，配合自动脉冲除尘功能，真正做到免清理；
- 磁簧开关：采用台湾阳明磁簧开关，稳定可靠，可重复工作20万次以上；
- 不锈钢储气罐：配合脉冲程序，有效震荡、清理滤布上的粉尘，防止因为滤芯堵佳而影响上料；
- Nano-coated filter cloth: The special filter for nano-coated dust is not easy to be blocked, and with the automatic pulse dust removal function, it is truly free of cleaning;
- Reed switch: Taiwan Yangming reed switch is used, which is stable and reliable, and can be repeated for more than 200,000 times;
- Stainless steel air storage tank: with the pulse program, it can effectively vibrate and clean the dust on the filter cloth, so as to prevent the material from being affected due to the blockage of the filter element;

吸粉机技术参数 Technical parameters

型号 MODEL	功率(KW) Power	料筒容量(L) Hopper capacity	输送高度(M) Delivery height	电压(V) Voltage	输料管内径(MM) Feed pipe inside diameter	输送能力(KG/H) Delivery capacity	重量(KG) Weight	电机类型 Motor type
HY-660	1.2	12	4	220	38	300	40	碳刷式 Carbon brush type
HY-990	2.2	15	5	380	38	350	70	感应式 Induction type
HY-990	3	15	5	380	38	550	80	感应式 Induction type
HY-990	4	15	6	380	38	650	98	感应式 Induction type
HY-990	5.5	40	6	380	50	700	100	感应式 Induction type
HY-990	7.5	40	6	380	50	900	150	感应式 Induction type

结构示意图/SCHEMATIC





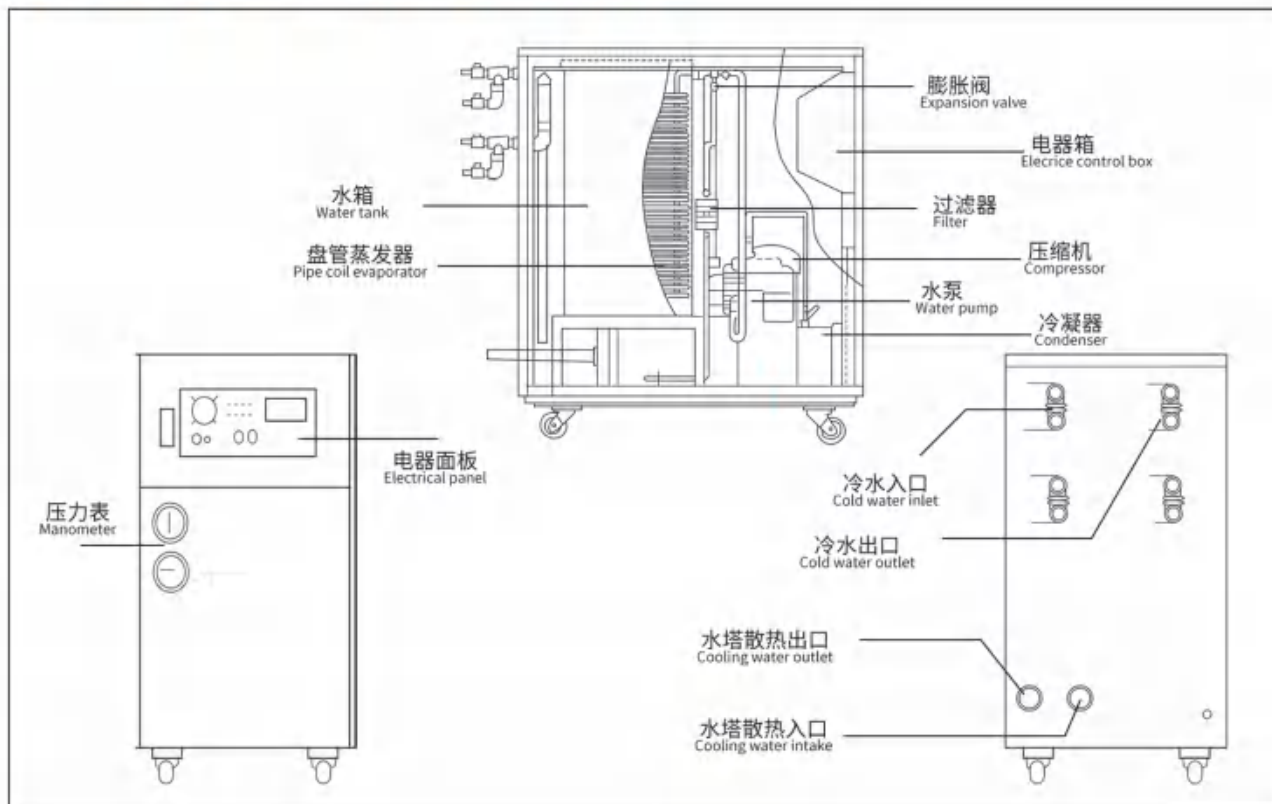
风冷式冷水机特点/FEATURES

- 采用进口高品质压缩机及进口水泵，安全宁静，省电耐用；
- 采用电脑温控器，操作简洁，能准确地控制水温在3C -45C；
- 冷凝器及散热器设计独特，换热效果更佳；
- 具有电流过载保护、高低压控制及电子式时间延迟安全装置，当发生故障时及时发出警报及显示故障原因；
- 内置不锈钢保温水箱，经久耐用，清洗方便；
- 设有逆相欠相保护和防冰保护；
- 超低温型冷水机温度可达到-60C以下；
- 此系列冷水机可定做耐酸碱式；
- Imported high quality compressor and imported water pump, safe and quiet, energy saving and durable;
- The computer thermostat is used for simple operation and can accurately control the water temperature between 3 °C and 45 °C.
- The condenser and radiator are uniquely designed for better heat transfer;
- With current overload protection, high and low voltage control and electronic time delay safety device, when an error occurs, an alarm is issued and the cause of the failure is displayed;
- Built-in stainless steel insulated water tank, durable and easy to clean;
- With reverse phase and phase protection and anti-icing protection;
- The ultra-low temperature type water chiller can reach a temperature of -60C or below;
- This series of water chillers can be custom-made be resistant to acid and alkali;

水冷式冷水机特点/FEATURES

- 采用进口高品质压缩机及进口水泵，安全宁静，省电耐用；
- 采用电脑温控器，操作简洁，能准确地控制水温在3C -45C；
- 冷凝器及散热器设计独特，换热效果更佳；
- 具有电流过载保护、高低压控制及电子式时间延迟安全装置，当发生故障时及时发出警报及显示故障原因；
- 内置不锈钢保温水箱，经久耐用，清洗方便；
- 设有逆相欠相保护和防冰保护；
- 超低温型冷水机温度可达到-60C以下；
- 此系列冷水机可定做耐酸碱式；
- Imported high quality compressor and imported water pump, safe and quiet, energy saving and durable;
- The computer thermostat is used for simple operation and can accurately control the water temperature between 3 °C and 45 °C.
- The condenser and radiator are uniquely designed for better heat transfer;
- With current overload protection, high and low voltage control and electronic time delay safety device, when an error occurs, an alarm is issued and the cause of the failure is displayed;
- Built-in stainless steel insulated water tank, durable and easy to clean;
- With reverse phase and phase protection and anti-icing protection;
- The ultra-low temperature cold water machine can reach a temperature of -60C or below;
- This series of cold water machines can be custommade to be resistant to acid and alkali;

结构示意图/SCHEMATIC



风冷式冷水机配置参数/Configuration parameters

规格 Specifications	压缩机功率 Compressor power	冷水泵功率 Cold water pump power	过滤器 Filter	压力控制器 Pressure controller	控制面板 Control panel	电器 Electrical appliance
1HP	1HP, 松下Panasonic	0.37KW(台湾源合泵); 0.37KW(Taiwan Yuanhe Pump);	艾可Ai Ke084	上海奉申 Shanghai Fengsheng	邦普/Bangpu	施耐德/Schneider
2HP	2HP, 松下Panasonic	0.37KW(台湾源合泵); 0.37KW(Taiwan Yuanhe Pump);	艾可Ai Ke084	上海奉申 Shanghai Fengsheng	邦普/Bangpu	施耐德/Schneider
3HP	3HP, 松下Panasonic	0.37KW(台湾源合泵); 0.37KW(Taiwan Yuanhe Pump);	艾可Ai Ke084	上海奉申 Shanghai Fengsheng	邦普/Bangpu	施耐德/Schneider
5HP	5HP松下Panasonic	0.37KW(台湾源合泵); 0.37KW(Taiwan Yuanhe Pump);	艾可Ai Ke084	上海奉申 Shanghai Fengsheng	邦普/Bangpu	施耐德/Schneider
6HP	6HP松下Panasonic	0.75KW(台湾源合泵); 0.75KW(Taiwan Yuanhe Pump);	艾可Ai Ke084	上海奉申 Shanghai Fengsheng	邦普/Bangpu	施耐德/Schneider
8HP	4EP+4PP,松下Panasonic	2HP(台湾源合泵); 2HP(Taiwan Yuanhe Pump);	艾可Ai Ke084	上海奉申 Shanghai Fengsheng	邦普/Bangpu	施耐德/Schneider
10HP	5HP*2,松下(全新压缩机)	2HP(台湾源合泵); 2HP(Taiwan Aoyuan Pump);	艾可Ai Ke084	上海奉申 Shanghai Fengsheng	邦普/Bangpu	施耐德/Schneider
12HP	6HP*2, 松下Panasonic	2HP(台湾源合泵); HP(Taiwan Yuanhe Pump);	艾可Ai Ke084	上海奉申 Shanghai Fengsheng	邦普/Bangpu	施耐德/Schneider
15HP	5HP*3, 松下Panasonic	3HP(台湾源合泵); 3HP(Taiwan Yuanhe Pump);	艾可Ai Ke084	上海奉申 Shanghai Fengsheng	邦普/Bangpu	施耐德/Schneider
20HP	5HP*4, 松下Panasonic	5HP(台湾源合泵); 5HP(Taiwan Yuanhe Pump);	艾可Ai Ke084	上海奉申 Shanghai Fengsheng	邦普/Bangpu	施耐德/Schneider
25HP	6HP*4, 松下Panasonic	5HP(台湾源合泵); 5HP(Taiwan Yuanhe Pump);	艾可Ai Ke084	上海奉申 Shanghai Fengsheng	邦普/Bangpu	施耐德/Schneider
30HP	10HP*3, (松下, 丹佛斯) (Panasonic, Danfoss)	5P(台湾源合泵); 5P(Taiwan Yuanhe Pump);	艾可Ai Ke084	上海奉申 Shanghai Fengsheng	邦普/Bangpu	施耐德/Schneider
40HP	10HP*4, (松下, 丹佛斯) (Panasonic, Danfoss)	(7.5-10P)(源合泵); (7.5-10P)(Yuanhe Pump);	艾可Ai Ke084	上海奉申 Shanghai Fengsheng	邦普/Bangpu	施耐德/Schneider
50HP	12.5HP*4, (松下, 丹佛斯) (Panasonic, Danfoss)	7.5P(台湾源合泵); 7.5P(Taiwan Yuanhe Pump);	艾可Ai Ke084	上海奉申 Shanghai Fengsheng	邦普/Bangpu	施耐德/Schneider

水冷式冷水机配置/Configuration parameters

规格 Specifications	压缩机功率 Compressor power	冷水泵功率 Cold water pump power	过滤器 Filter	压力控制器 Pressure controller	控制面板 Control panel	电器 Electrical appliance
3HP	3HP,松下Panasonic	0.37KW(台湾源合泵); 0.37KW(Taiwan Yuanhe Pump);	艾可Ai Ke084	上海奉申 Shanghai Fengsheng	邦普/Bangpu	施耐德/Schneider
5HP	5HP,松下Panasonic	0.37KW(台湾源合泵); 0.37KW(Taiwan Yuanhe Pump);	艾可Ai Ke084	上海奉申 Shanghai Fengsheng	邦普/Bangpu	施耐德/Schneider
8HP	4HP+4HP,松下Panasonic	2HP(台湾源合泵); 2(Taiwan Yuanhe Pump);	艾可Ai Ke084	上海奉申 Shanghai Fengsheng	邦普/Bangpu	施耐德/Schneider
10HP	5HP*2,松下Panasonic	2HP(台湾源合泵); 2HP(Taiwan Yuanhe Pump);	艾可Ai Ke084	上海奉申 Shanghai Fengsheng	邦普/Bangpu	施耐德/Schneider
15HP	5HP*3,松下Panasonic	3HP(台湾源合泵); 3HP(Taiwan Yuanhe Pump);	艾可Ai Ke084	上海奉申 Shanghai Fengsheng	邦普/Bangpu	施耐德/Schneider
20HP	5HP*4, 松下Panasonic	5HP(台湾源合泵); 5HP(Taiwan Yuanhe Pump);	艾可Ai Ke084	上海奉申 Shanghai Fengsheng	邦普/Bangpu	施耐德/Schneider
25HP	5HP*5, 松下Panasonic	5P(台湾源合泵); 5P(Taiwan Yuanhe Pump);	艾可Ai Ke084	上海奉申 Shanghai Fengsheng	邦普/Bangpu	施耐德/Schneider
30HP	10HP*3(松下, 丹佛斯) (Panasonic, Danfoss)	5P(台湾源合泵); 5P(Taiwan Yuanhe Pump);	艾可Ai Ke084	上海奉申 Shanghai Fengsheng	邦普/Bangpu	施耐德/Schneider
40HP	10HP*4(松下, 丹佛斯) (Panasonic, Danfoss)	(7.5-10P)(台湾源合泵); (7.5-10P)(Taiwan Yuanhe Pump);	艾可Ai Ke084	上海奉申 Shanghai Fengsheng	邦普/Bangpu	施耐德/Schneider
50HP	10HP*4(松下, 丹佛斯) (Panasonic, Danfoss)	15P(台湾源合泵); 15P(Taiwan Yuanhe Pump);	艾可Ai Ke084	上海奉申 Shanghai Fengsheng	邦普/Bangpu	施耐德/Schneider

风冷式冷水机参数/Configuration parameters

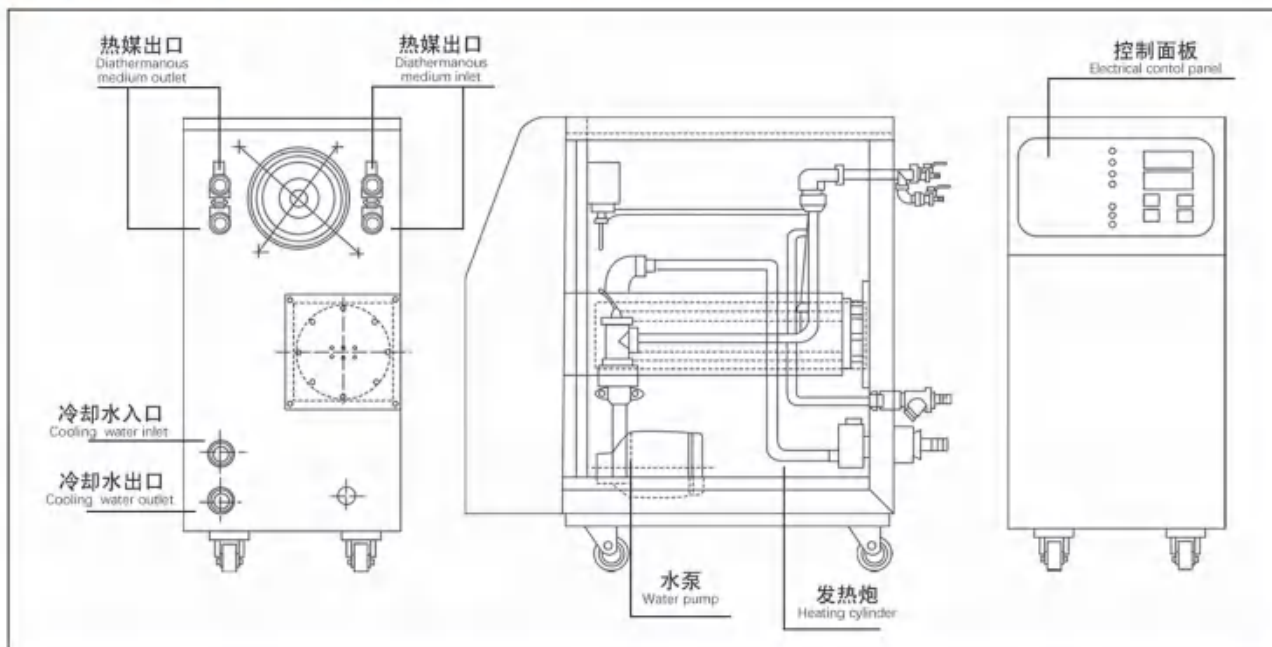
型号 Model	整机总功率 (KW) Total power of the machine	最大电流(A) Maximum current	冷力压力 Cold pressure	制冷能力(KW) Refrigeration capacity	外形尺寸(MM) Dimensions	机器重量(KG) Machine weight
1HP	1.3	5	0.2-0.3MPa	3	750 x540x900	65
2HP	2.05	8	0.2-0.3MPa	6	750x540x900	70
3HP	2.98	11	0.2-0.3MPa	9	940x610x1050	100
5HP	4.48	11.08	0.2-0.3MPa	12.5	1180x680x1170	190
6HP	5.61	13.4	0.2-0.3MPa	18	1180x680x1170	230
8HP	8.2	16.5	0.2-0.3MPa	24	1560*830*1650	420
10HP	9.75	23	0.2-0.3MPa	25	1560*830*1650	450
12HP	11.26	24	0.2-0.3MPa	36	1560*830*1650	450
15HP	14.24	32.9	0.2-0.3MPa	45	1600*880*1650	480
20HP	20.3	42.7	0.2-0.3MPa	60	2100*1000*1750	650
25HP	24.05	50.8	0.2-0.3MPa	75	2100*1000*1750	650
30HP	27.8	80.5	0.2-0.3MPa	90	2302*1280*1950	800
40HP	37.2	89.8	0.2-0.3MPa	120	2200*2200*1750	1050
50HP	44.6	95	0.2-0.3MPa	120	2600*2600*1750	1200

水冷式冷水机参数/Configuration parameters

型号 Model	整机总功率 (KW) Total power of the machine	最大电流(A) Maximum current	冷力压力 Cold pressure	制冷能力(KW) Refrigeration capacity	外形尺寸(MM) Dimensions	机器重量(KG) Machine weight
3HP	2.62	9	0.2-0.3MPa	9	1070*580*950	100KG
5HP	4.12	11.6	0.2-0.3MPa	15	1070*580*950	180KG
8HP	7.5	16.5	0.2-0.3MPa	24	1500*750*1440	320
10HP	9	20.94	0.2-0.3MPa	30	1500*750*1440	380
15HP	13.45	38.2	0.2-0.3MPa	45	1580*810*1540	450
20HP	19	41.42	0.2-0.31Pa	60	2100*850*1500	650
25HP	22.75	61	0.2-0.3MPa	75	2100*850*1580	650
30HP	26.5	63	0.2-0.3MPa	90	2100*880*1580	850
40HP	35.6	86.62	0.2-0.3MPa	120	2300*1000*1700	1050
50HP	43.5	86.5	0.2-0.3MPa	150	2400*300*1850	1200



结构示意图/Schematic



水式模温机特点/Feature

- 电控箱与机身隔离，隔热效果佳，电器使用寿命长；
- 模温机专用PID 控制器温度误差在 ± 0.5 度，控温更合理，省电 35% 以上；
- 安全保护及故障指示系统完善，维修方便无需专业人员；
- 进口高级组件，使用年限长；
- 升降温速度快，温度精确稳定，可达 ± 0.1 C；
- 独特的加热设计，适合不同温控场所使用，节能效果明显；
- 主管路采用304 不锈钢一体成型，管损耗小，加热均匀，使用寿命长；
- The electric control box is isolated from the fuselage, and the heat insulation effect is good, and the electrical appliance has a long service life;
- The PID control point of the mold temperature machine has a temperature error of ± 0.5 degrees, and the temperature control is more reasonable, saving more than 35% ;
- The safety protection and fault indication system is perfect, and maintenance is convenient without professional staff;
- Import advanced components with long service life;
- The temperature rise and fall is fast, the temperature is accurate and stable, up to ± 0.1 °C;
- Unique heating design, suitable for different temperature control places, energy saving effect is obvious;
- The main pipeline is integrally formed of 304 stainless steel, the tube is small in cross width, uniform in heating and long in service life;

油式模温机特点/Feature

- 使用油为传热媒介，以间接冷却方式达到热交换，具有控温范围大，热稳定性好等优点；
- 标准型温度控制可选 180C，高温型可达300C；
- The use of oil as a heat transfer medium achieves heat exchange by indirect cooling, and has the advantages of large temperature control range, fast heastability etc;
- Standard temperature control is optional 180° C, high temperature type up to 300° c;

- | | |
|-------------------|--|
| ● 电源缺相保护； | ● Power phase loss protection; |
| ● 总电源无熔丝断路器； | ● Total power supply without fuse circuit breaker; |
| ● 泵反转保护及指示灯； | ● Pump reverse protection and indicator light; |
| ● 泵过载保护及指示灯； | ● Pump overload protection and indicator light; |
| ● 缺水保护及指示灯； | ● Water shortage protection and indicator light; |
| ● 过热保护及指示灯； | ● Overheat protection and indicator light; |
| ● 热油BY-PASS 泄压回路； | ● Hot oil BY-PASS pressure relief circuit; |
| ● 强制冷却； | ● Forced cooling; |
| ● 温度异常警报； | ● Temperature abnormality alarm; |
| ● 异常警报蜂鸣器； | ● Abnormal alarm buzzer; |

100°C水式模温机参数/parameters

型号 Model	LF-6	LF-9	LF-12	LF-18	LF-24	LF-36
整机总功率(KW) Total power of the machine	6.37	9.37	12.75	9.5	25.5	38.2
整机电流(A) Machine current	12.74	18.74	25.5	39	51	76.4
电源(A) Power supply	3N-380-50HZ	3N-380-50HZ	3N-380-50HZ	3N-380-50HZ	3N-380-50HZ	3N-380-50HZ
泵 Pump	额定功率HP Rated power	0.5	0.5	1	2	3
	输入功率KW Input power	0.37	0.37	0.75	1.5	2.2
	工作流量L/min Working flow	42	42	56	110	110
加热管(KW) Heating tube	6	9	12	18	24	36
模具分流器进出水口 Water inlet outlet of mold diverter	6分(1进1出)	6分(1进1出)	6分/1寸(1进1出)	1寸(1进1出)	1寸(1进1出)	1寸(1进1出)
模具总进出水口 Total water inlet and outlet of the mold	3分(2进2出)	3分(4进4出)	3分(4进4出)	3分(4进4出)	3分(4进4出)	3分(6进6出)
外形尺寸(H) External dimensions	790x300x660	790x300x660	790x300x660	870x360x720	870x360x720	790x300x660
整机重量(KG) Total weight of the machine	60	60	70	90	100	50

180°C油式模温机参数/parameters

型号 Model	LF-6	LF-9	LF-12	LF-18	LF-24	LF-36
整机总功率(KW) Total power of the machine	6.37	9.37	12.75	19.5	25.5	38.2
整机电流(A) Machine current	12.74	18.74	25.5	39	51	76.4
电源(A) Power supply	3N-380-50HZ	3N-380-50HZ	3N-380-50HZ	3N-380-50HZ	3N-380-50HZ	3N-380-50HZ
泵 Pump	额定功率HP Rated power	0.5	0.5	1	2	3
	输入功率KW Input power	0.37	0.37	0.75	1.5	2.2
	工作流量L/min Working flow	42	42	56	110	110
加热管(KW) Heating tube	6	9	12	18	24	36
模具分流器进出水口 Water inlet outlet of mold diverter	6分(1进1出)	6分(1进1出)	6分/1寸(1进1出)	1寸(1进1出)	1寸(1进1出)	1寸(1进1出)
模具总进出水口 Total water inlet and outlet of the mold	3分(2进2出)	3分(4进4出)	3分(4进4出)	3分(4进4出)	3分(4进4出)	3分(6进6出)
外形尺寸(H) External dimensions	790x300x660	790x300x660	790x300x660	870x360x720	870x360x720	790x300x660
整机重量(KG) Total weight of the machine	60	60	70	90	100	50